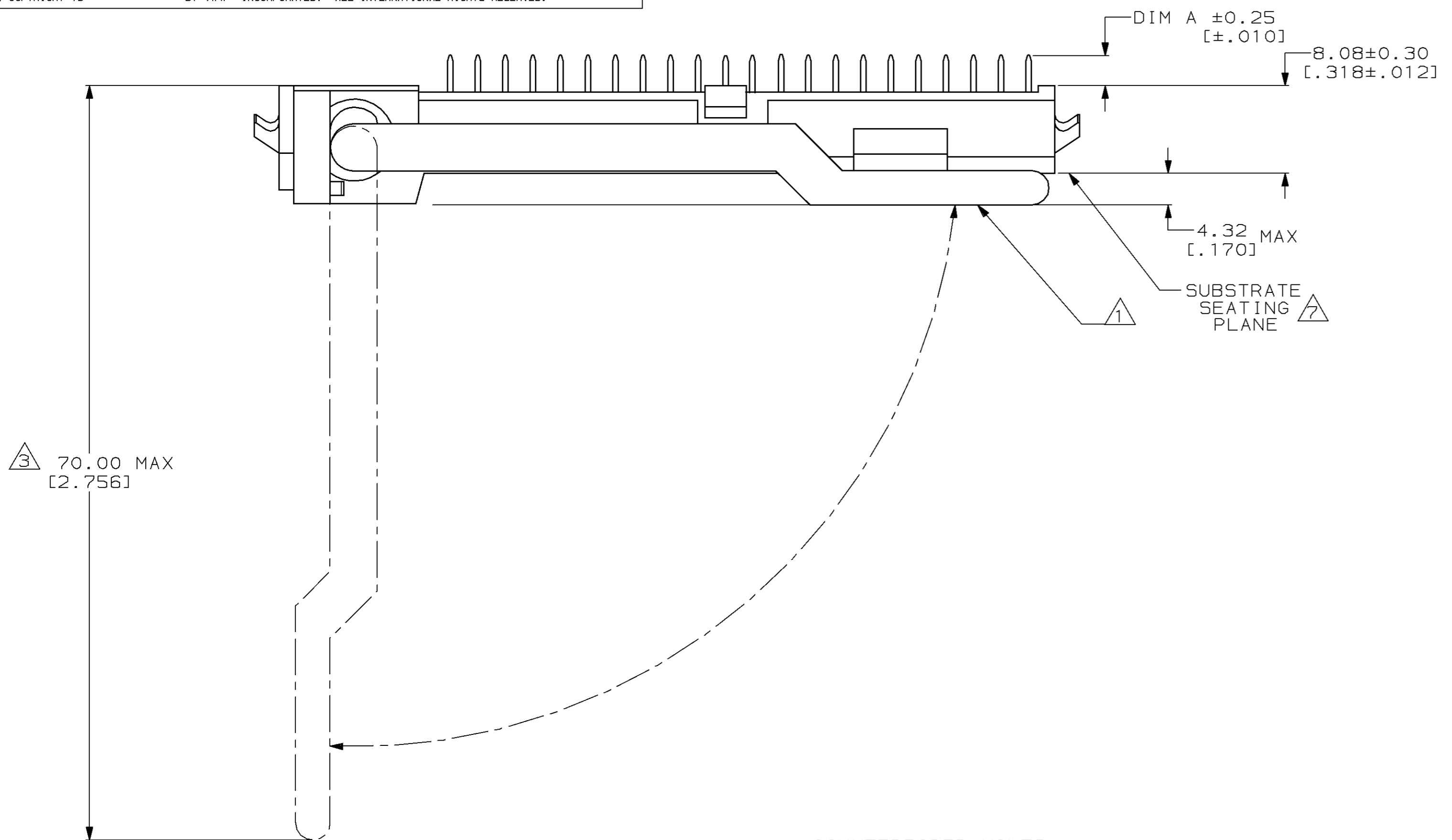
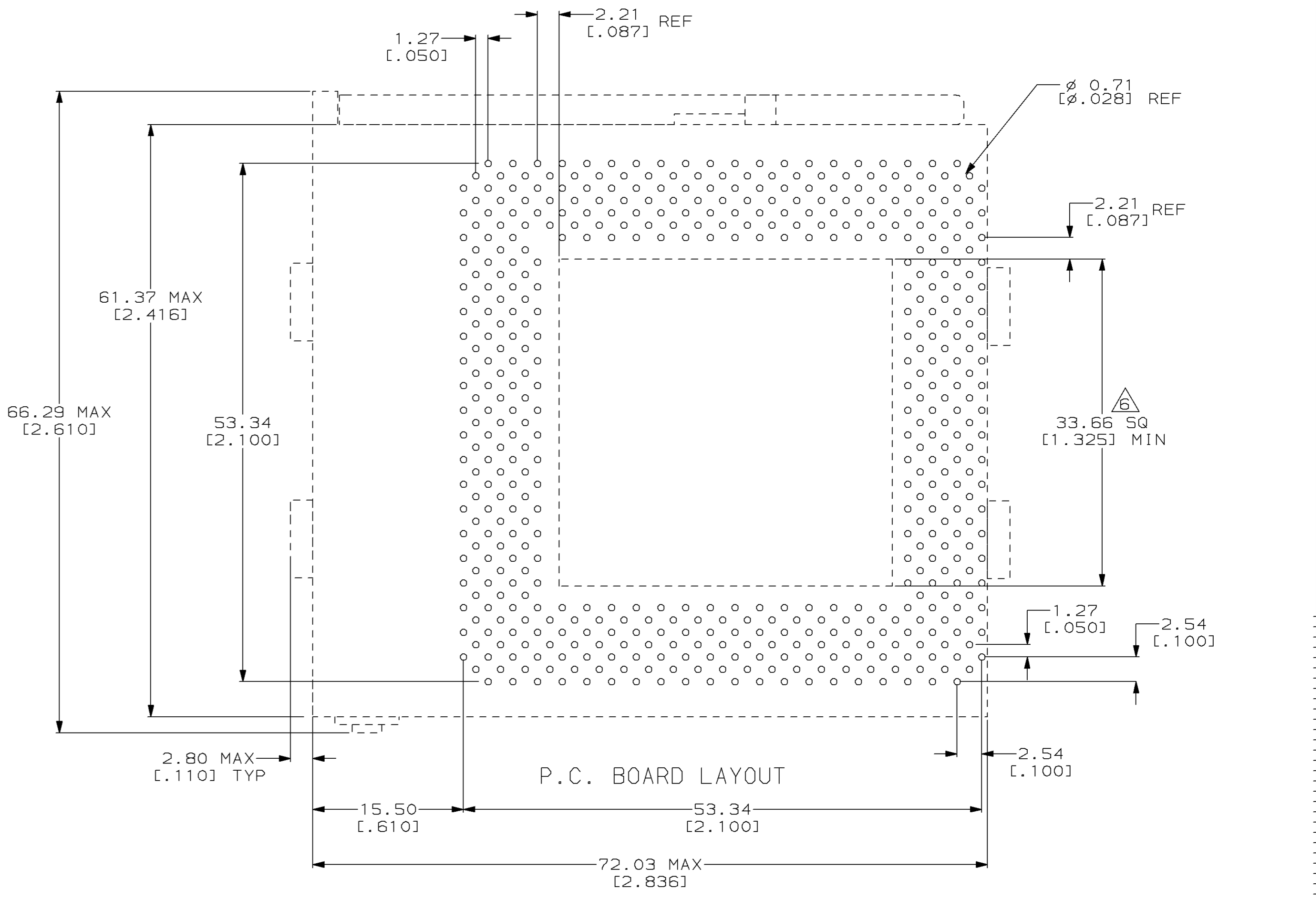
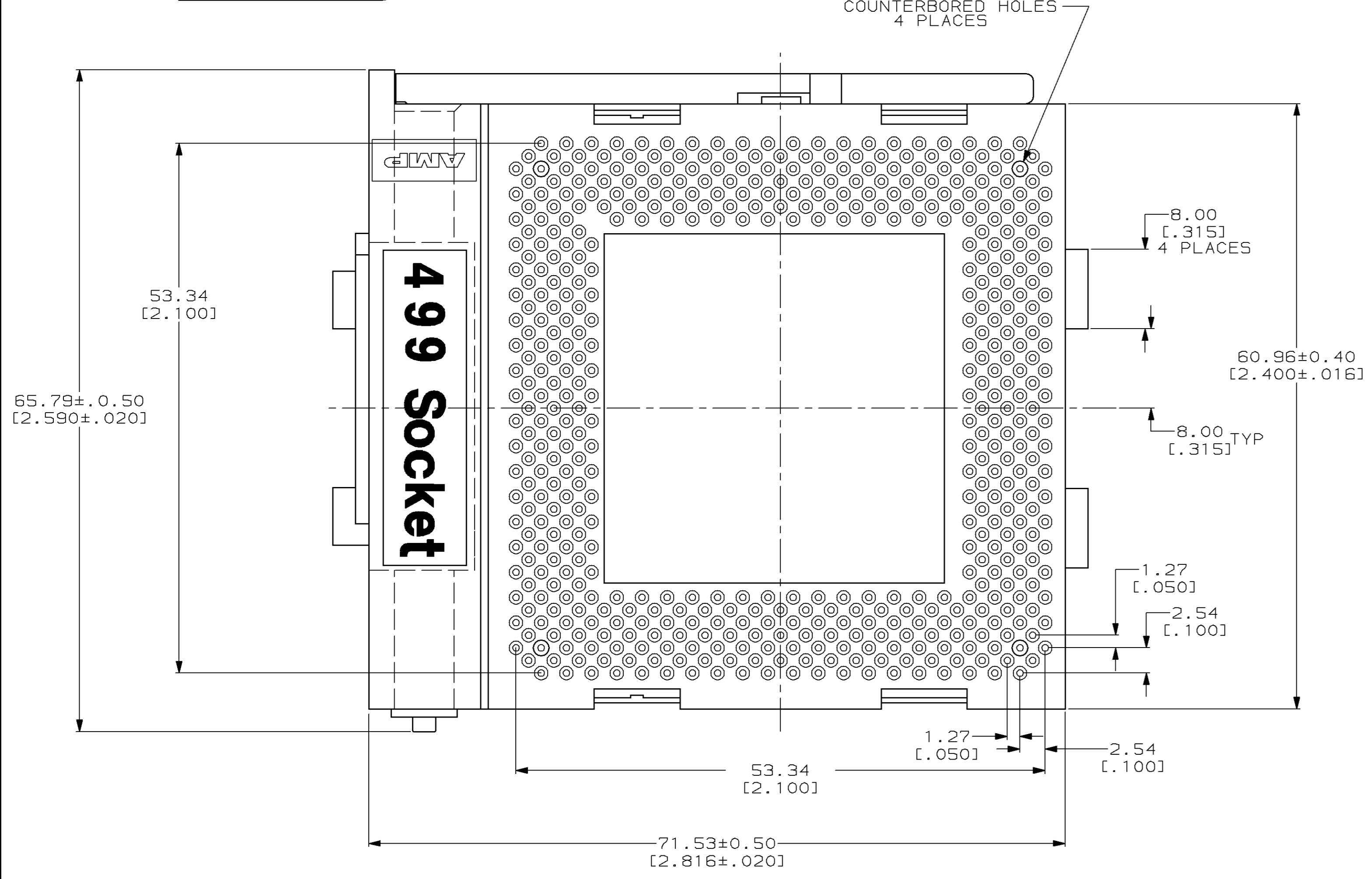


LOC		DIST		P		F		ZONE		LTR		REVISIONS			
AG	24											DESCRIPTION	DATE	APPD	
												C	RELEASED -2 PER NPR 95-48	4-5-95	AH



- 1 HANDLE IS SHOWN IN THE 'ON' POSITION
- 2 SOCKET WILL ACCEPT ANY P.G.A. PACKAGE WITH A PIN $\varnothing 0.46 \pm 0.05$ [$\varnothing 0.018 \pm 0.002$] AND A LENGTH OF 3.05-5.33 [.120-.210] LOCATED ON TRUE POSITION OF 0.20 [.008] (M)
- 3 MAX DIMENSION INCLUDING HANDLE
- 4 MATERIAL: HOUSING AND COVER ARE HIGH TEMP. THERMOPLASTIC, NATURAL COLOR; CONTACTS ARE COPPER ALLOY; ACTUATOR IS ZINC ALLOY.
- 5 FINISH; CONTACT AREA-0.00076 [.000030] MIN. THICK GOLD OVER 0.00127 [.000050] MIN. THICK NICKEL PLATE SOLDER TAIL-0.0038 [.000150] MIN. THICK TIN-LEAD OVER 0.00127 [.000050] MIN. THICK NICKEL PLATE.
- 6 DIMENSIONS INDICATE MIN. OPEN CENTER THROUGH SOCKET
- 7 SEATING PLANE OF PGA PACKAGE IN SOCKET IS ON CERAMIC SURFACE OF PACKAGE.



3.56 [.140]	916583-2
2.79 [.110]	916583-1
DIM A	PART NO

DO NOT SCALE PRINT. UNLESS SPECIFIED DIMENSIONS IN mm [INCHES]	DR 2-25-94 W.SORAH
TOLERANCES ON:	CHK 2-25-94 R.TALLEY
2 PLC DEC ± -	APPD 2-25-94 R.SMITH
3 PLC DEC ± 0.30 [.012]	APPD 2-25-94 B.BRANDON
ANGLES ± -	PRODUCT SPEC -
MATERIAL	APPLICATION SPEC -
FINISH	WEIGHT -

AMP AMP Incorporated Harrisburg, PA 17105-3608		
NAME ZIF, PGA SOCKET 22 GRID, 499 POSITIONS SINGLE LEVER, OPEN CENTER		
SIZE D	CAGE CODE 00779	DRAWING NO ©-916583
SCALE 3:1	SHEET 1 OF 1	

THIS DRAWING IS A CONTROLLED DOCUMENT FOR AMP INCORPORATED. IT IS SUBJECT TO CHANGE AND THE CONTROLLING ENGINEERING ORGANIZATION SHOULD BE CONTACTED FOR THE LATEST REVISION.