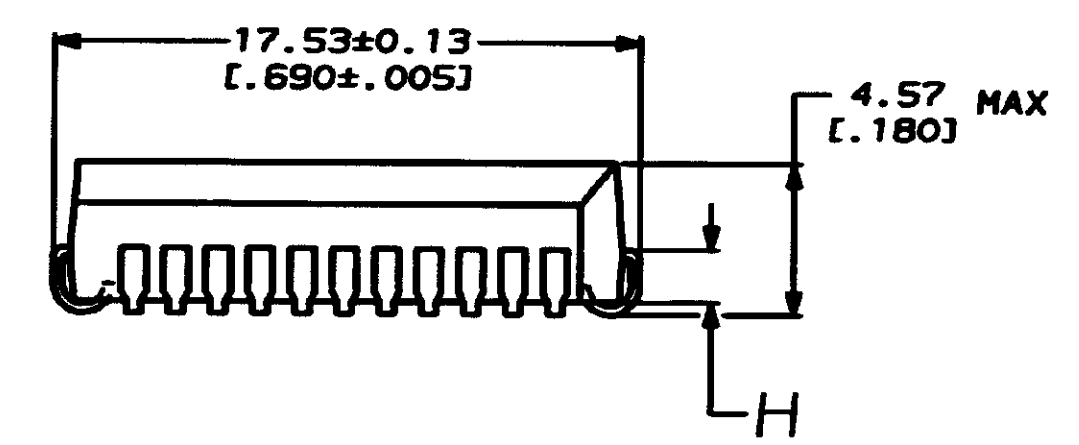
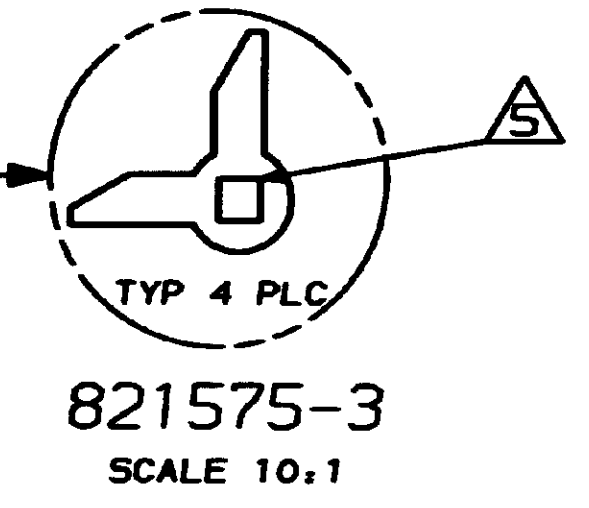
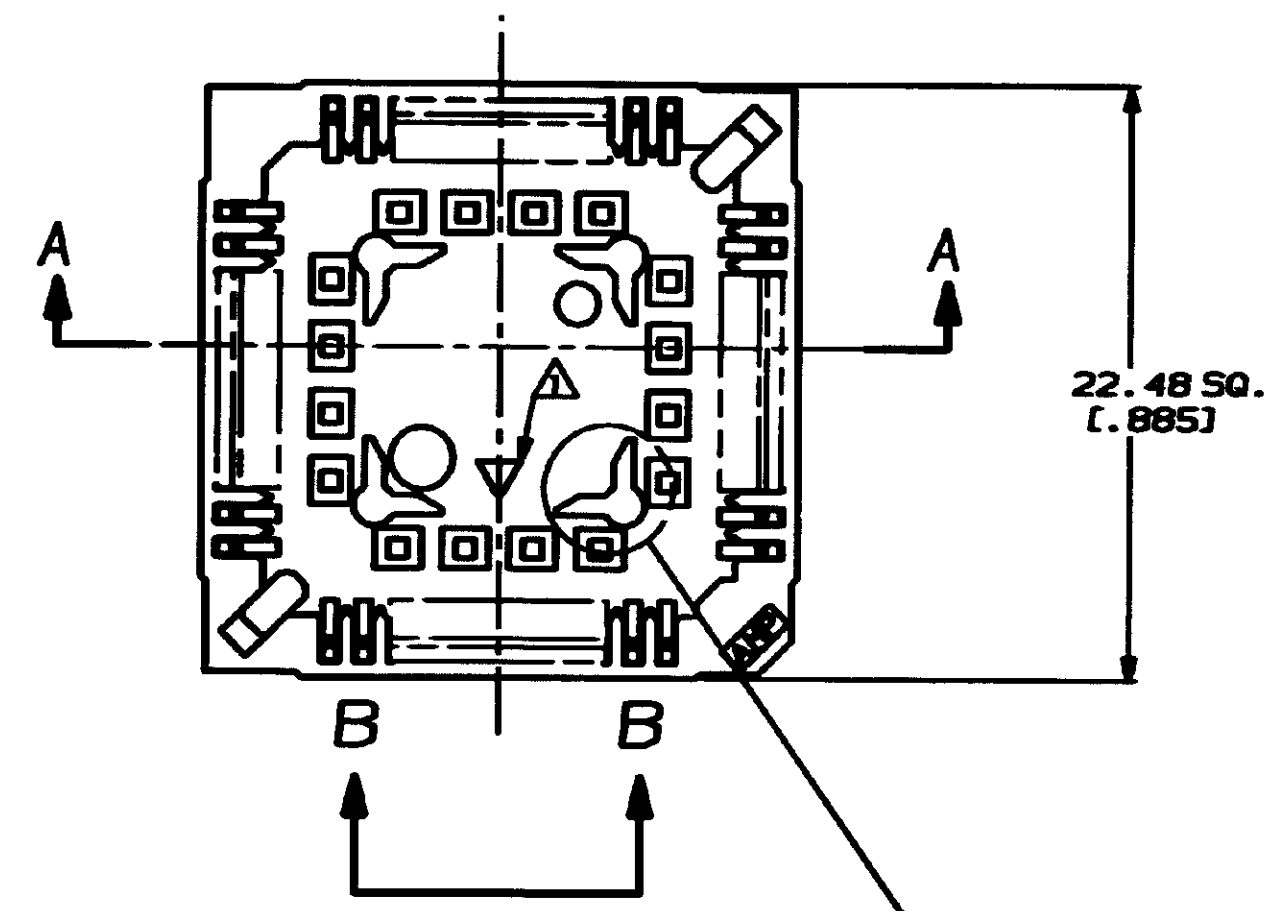
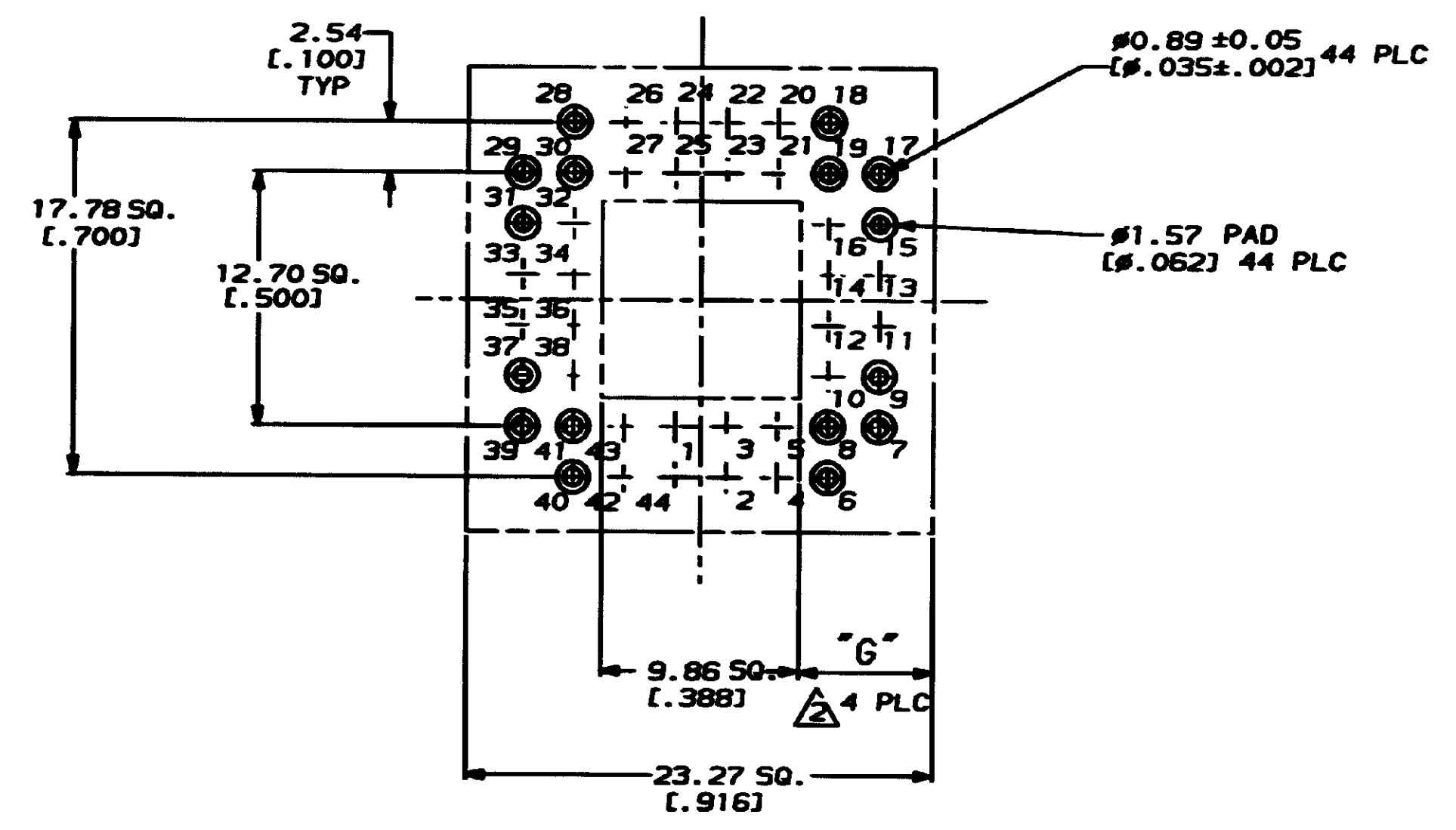


REV. NO.		DATE		DESCRIPTION	
A6	53			H	REVISED PER AG-3272

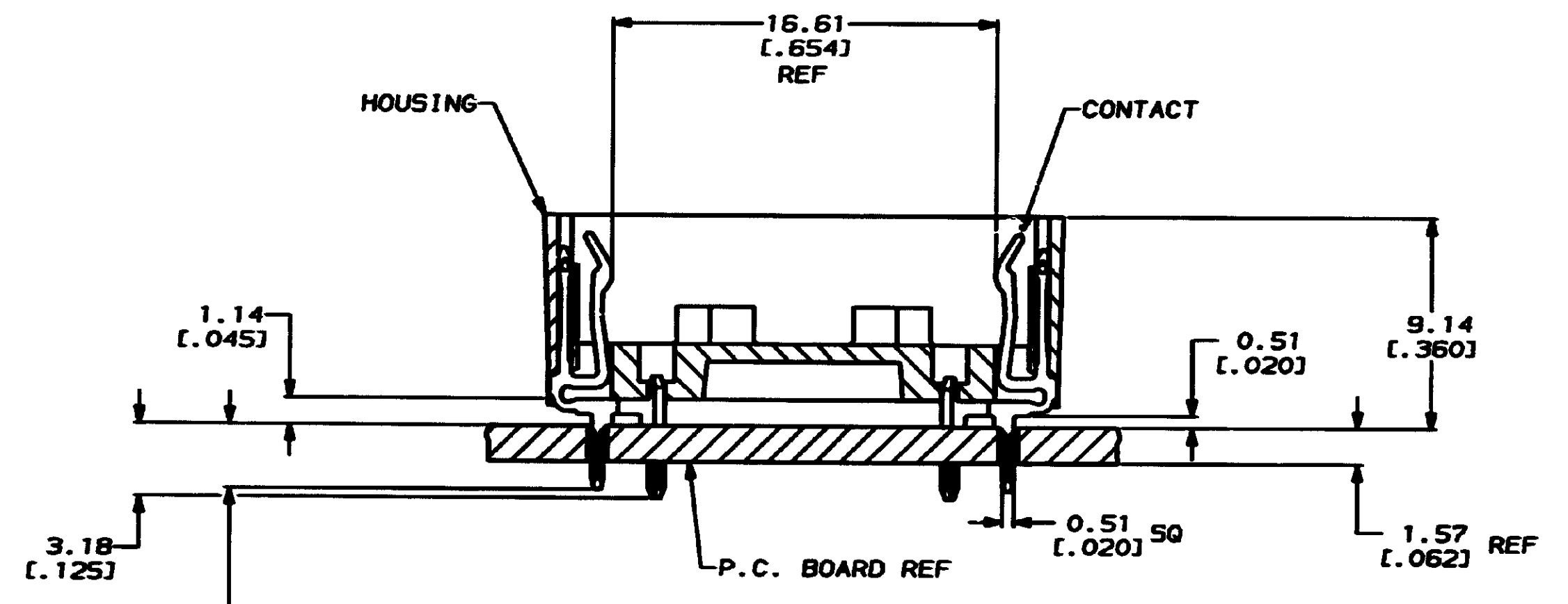
- ▲1 ARROW TO INDICATE PIN 1, LOCATED APPROX. AS SHOWN.
- ▲2 NO ADDITIONAL VIA HOLES RECOMMENDED IN AREA "G".
- ▲3 FLAMMABILITY RATING: UL94V-0.
- ▲4 PACKAGED IN TUBES.
- ▲5 MOLDED SQUARE ON STANDOFF FOR 821575-3.



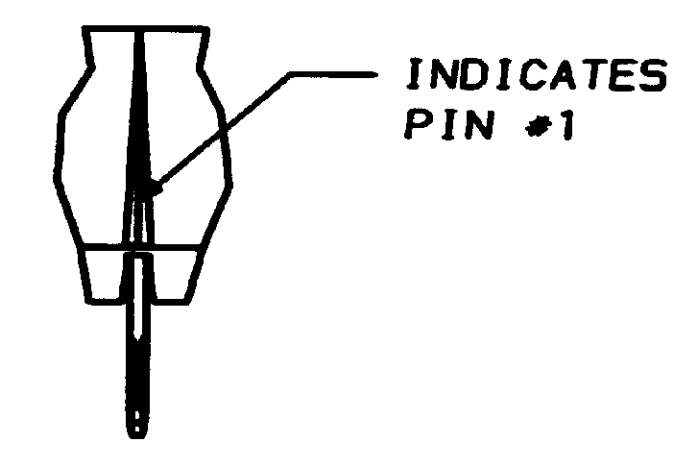
RECOMMENDED CHIP CARRIER
SCALE 5:1



RECOMMENDED P.C. BOARD HOLE PATTERN



SECTION A-A
SCALE 5:1



VIEW B-B
SCALE 5:1

2.29	.090	821575-3
1.94	.070	
1.91	.075	3-821575-1 ▲
1.40	.055	
1.91	.075	821575-1
1.40	.055	
H		PART NO

DO NOT SCALE PRINT. UNLESS SPECIFIED DIMENSIONS IN mm (INCHES) TOLERANCES ON:		DR 7-26-90 C. WITT		AMP Incorporated Harrisburg, PA 17105-3608	
2 PLC DEC ± 0.13 (.005)		CHK 10-15-90 K. SALMON		NAME	
3 PLC DEC ± 0.13 (.005)		APPD 11-5-90 S. PEARSON		SOCKET ASSY, HPT, 44 POSN, SOLDER TAIL W/STANDOFF	
ANGLES ± -		APPD 11-5-90 K. KREIDLER		SIZE	
MATERIAL: HOUSING: PPS OR PCT ▲ CONTACT: PHOSPHOR BRONZE		PRODUCT SPEC		D 00779	
FINISH: CONTACT 0.00381 (.000150) MIN TIN LEAD OVER 0.00102-0.00203 (.000040-.000080) NICKEL		APPLICATION SPEC		DRAWING NO	
		WEIGHT		821575	
				SCALE 4:1	
				SHEET 1 OF 1	